



Engineering & Manufacturing Co., Inc.

# Series 80-TP

## Towniprene® Lined Knife Gate Valve

### Why you should consider the Townley 80-TP knife gate valve?

- Heavy duty cast ductile iron body and yoke are designed to resist deflection from line loads and internal pressure
- A thick bonded-in Towniprene™ liner and seat molded to provide a bi-directional seal across the blade and a compression seal at the apex of the gate during closure
- Pressures to 150 PSI
- Bottom of seat is flush eliminating trapped debris and slurry, allowing for leak-free closure

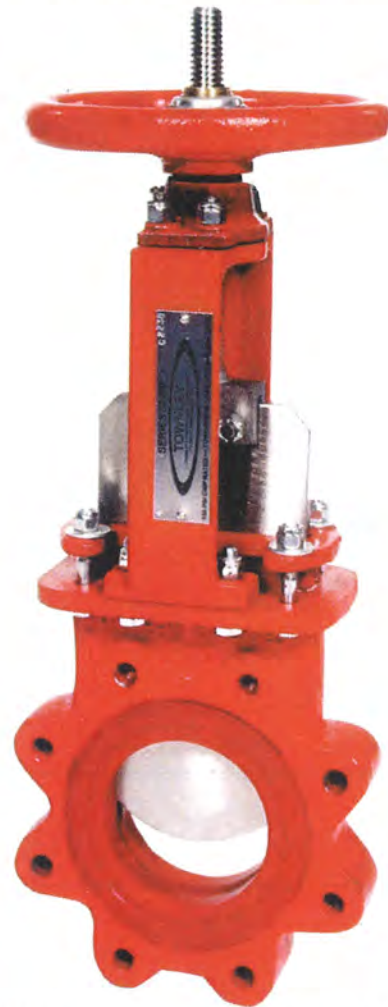


- Easily converted from hand wheel operator to air, hydraulic, electric or bevel gear operators with positioners, limit switches and lock-outs as required

- Isolated brass stem bushing prevents corrosion and assures smooth actuation
- TLSP Teflon lubricated synthetic packing provides positive gland sealing during operation, with adjustable packing flange
- Full port ID
- Corrosion resistant stainless steel stem and blade for years of unsurpassed service
- Edge of blade has machined radius to ensure side sealing and easy actuation
- Unique core credit program
- Optional custom self-contained package available for remote sites



- New space age TSF-2R blade coatings available to repel bonding of slurry to blade



### Where can you use the 80-TP Gate Valve?

In mining applications where abrasive and corrosive slurry is present, such as cyclone and flotation feed.

In power plant applications, such as FGD slurries or fly ash.

In applications with dry feeds and powders.



## Townley Tough!

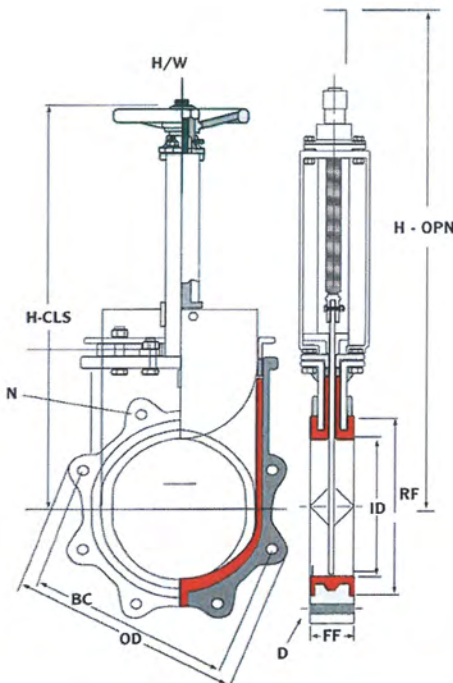
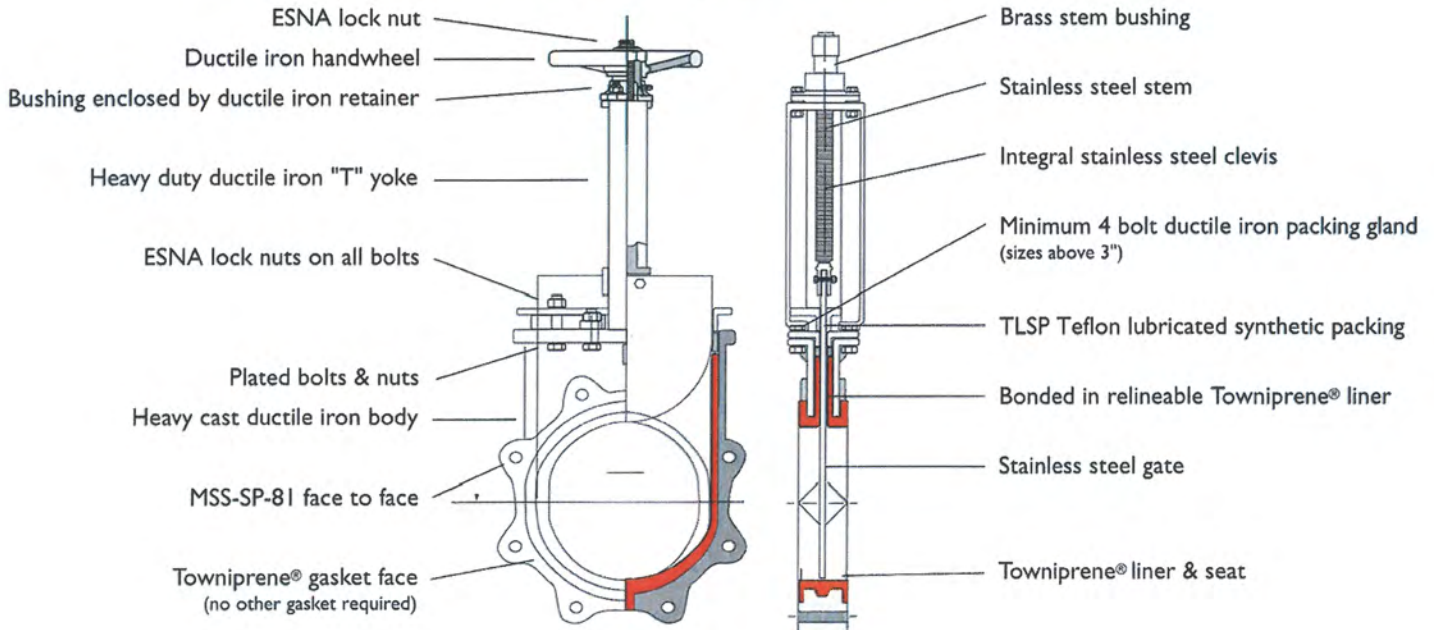
1-800-342-9920.



# Series 80-TP

## Towniprene® Lined Knife Gate Valve

### Construction Details of the Series 80-TP Gate Valve



#### Dimensions and Weights

	Valve Size													
	2	3	4	6	8	10	12	14	16	18	20	24	26	30
ID	2"	3"	4"	6"	8"	10"	12"	13 <sup>1</sup> / <sub>4</sub> "	15 <sup>1</sup> / <sub>4</sub> "	17 <sup>1</sup> / <sub>4</sub> "	19 <sup>1</sup> / <sub>4</sub> "	23 <sup>1</sup> / <sub>4</sub> "	25 <sup>1</sup> / <sub>4</sub> "	29 <sup>1</sup> / <sub>4</sub> "
F/F	17 <sup>7</sup> / <sub>8</sub> "	2"	2"	2 <sup>1</sup> / <sub>2</sub> "	2 <sup>3</sup> / <sub>4</sub> "	2 <sup>3</sup> / <sub>4</sub> "	3"	3"	3 <sup>1</sup> / <sub>2</sub> "	3 <sup>1</sup> / <sub>2</sub> "	4 <sup>1</sup> / <sub>2</sub> "	4 <sup>1</sup> / <sub>2</sub> "	4 <sup>1</sup> / <sub>2</sub> "	5"
BC	4 <sup>3</sup> / <sub>4</sub> "	6"	7 <sup>1</sup> / <sub>2</sub> "	9 <sup>1</sup> / <sub>2</sub> "	11 <sup>3</sup> / <sub>4</sub> "	14 <sup>1</sup> / <sub>4</sub> "	17"	18 <sup>3</sup> / <sub>4</sub> "	21 <sup>1</sup> / <sub>4</sub> "	22 <sup>3</sup> / <sub>4</sub> "	25"	29 <sup>1</sup> / <sub>2</sub> "	31 <sup>3</sup> / <sub>4</sub> "	36"
RF	3 <sup>1</sup> / <sub>4</sub> "	5"	6 <sup>3</sup> / <sub>16</sub> "	8 <sup>1</sup> / <sub>2</sub> "	10 <sup>5</sup> / <sub>8</sub> "	12 <sup>3</sup> / <sub>4</sub> "	15"	16 <sup>1</sup> / <sub>4</sub> "	18 <sup>1</sup> / <sub>2</sub> "	21"	23"	27 <sup>1</sup> / <sub>4</sub> "	29 <sup>1</sup> / <sub>2</sub> "	33 <sup>3</sup> / <sub>4</sub> "
OD	6"	7 <sup>1</sup> / <sub>2</sub> "	9"	11"	13 <sup>1</sup> / <sub>2</sub> "	16"	19"	21"	23 <sup>1</sup> / <sub>2</sub> "	25"	27 <sup>1</sup> / <sub>2</sub> "	32"	34 <sup>1</sup> / <sub>4</sub> "	38 <sup>3</sup> / <sub>4</sub> "
N	4	4	8	8	8	12	12	12	16	16	20	20	24	28
D	5 <sup>7</sup> / <sub>8</sub> "-11	5 <sup>7</sup> / <sub>8</sub> "-11	5 <sup>7</sup> / <sub>8</sub> "-11	3 <sup>3</sup> / <sub>4</sub> "-10	3 <sup>3</sup> / <sub>4</sub> "-10	7 <sup>7</sup> / <sub>8</sub> "-9	7 <sup>7</sup> / <sub>8</sub> "-9	1"-8	1"-8	1 <sup>1</sup> / <sub>8</sub> "-7	1 <sup>1</sup> / <sub>8</sub> "-7	1 <sup>1</sup> / <sub>4</sub> "-7	1 <sup>1</sup> / <sub>4</sub> "-7	1 <sup>1</sup> / <sub>4</sub> "-7
H/W	8"	8"	12"	12"	16"	16"	20"	24"	24"	24"	24"	24"	20"	20"
H-CLS	13 <sup>7</sup> / <sub>8</sub> "	14 <sup>1</sup> / <sub>4</sub> "	16 <sup>1</sup> / <sub>4</sub> "	20 <sup>1</sup> / <sub>8</sub> "	24 <sup>1</sup> / <sub>4</sub> "	28 <sup>1</sup> / <sub>2</sub> "	34 <sup>1</sup> / <sub>2</sub> "	40"	41"	47"	51 <sup>3</sup> / <sub>4</sub> "	58 <sup>3</sup> / <sub>4</sub> "	62 <sup>1</sup> / <sub>2</sub> "	70 <sup>1</sup> / <sub>8</sub> "
H-OPN	16"	17 <sup>1</sup> / <sub>2</sub> "	20 <sup>1</sup> / <sub>2</sub> "	26 <sup>1</sup> / <sub>2</sub> "	32 <sup>1</sup> / <sub>2</sub> "	38 <sup>3</sup> / <sub>4</sub> "	47"	54 <sup>1</sup> / <sub>4</sub> "	56 <sup>1</sup> / <sub>4</sub> "	64"	72 <sup>1</sup> / <sub>4</sub> "	82 <sup>1</sup> / <sub>4</sub> "	91 <sup>3</sup> / <sub>4</sub> "	99 <sup>5</sup> / <sub>8</sub> "
Wgt (lbs)	20	29	46	75	118	189	295	345	320	545	805	1,150	1,535	CALL

N indicates the number of holes. Other dimensions shown in inches.

Call (800) 342-9920 or the plant location nearest you • E-mail us: [info@townley.com](mailto:info@townley.com)

### Sales & Manufacturing Centers

Home Office	Arizona	Illinois	Texas	West Virginia
Candler, FL	Eloy, AZ	Eldorado, IL	New Summerfield, TX	Beckley, WV
Phone (800) 342-9920	Phone (520) 466-9223	Phone (618) 273-9341	Phone (903) 726-3503	Phone (304) 252-7084
Fax (352) 687-1862	Fax (520) 466-7235	Fax (618) 273-3418	Fax (903) 726-3737	Fax (304) 253-4542