

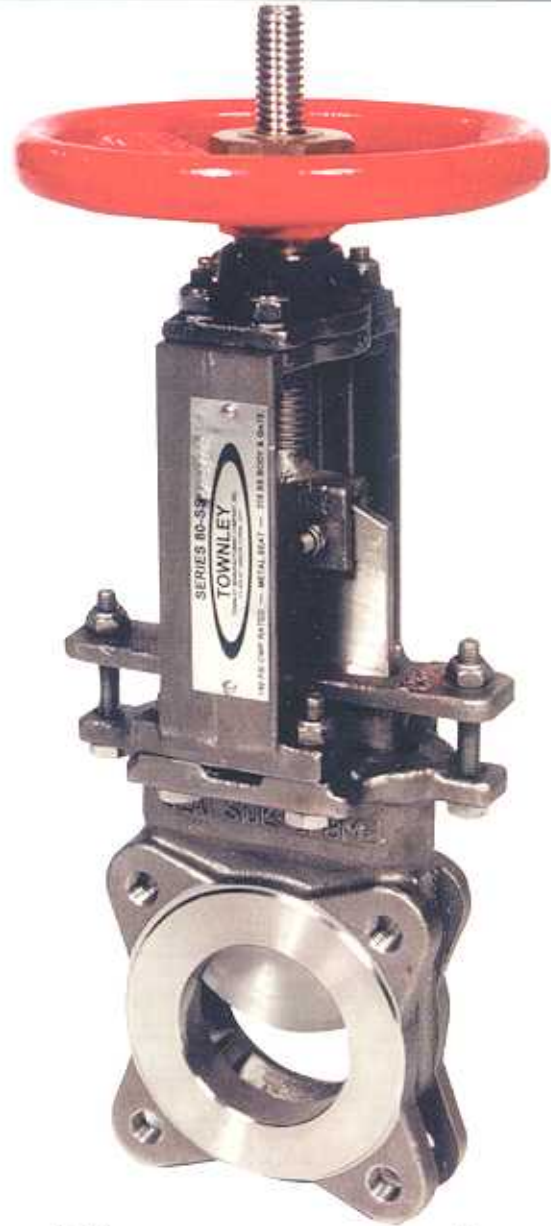
TOWNLEY

Why should you use the Townley 80-SS Gate Valve?

- Cast 304 or 316 stainless steel body, gate, packing gland, seat, yoke, stem, and bolting are all highly corrosion resistant.
- Heavy duty body is designed to resist deflection from line loads and internal pressure.
- Gate is designed to withstand full 150 PSI, as required by MSS-PS-81.
- Body cavity, seat configuration, and beveled gate are designed to provide shut-off capability in thick media.
- Heavy duty cast stainless steel yoke will not bend or twist under extreme loads.
- Easily converts from handwheel operator to cylinder, bevel gear, or electric motor operator using its cast yoke.
- Enclosed brass stem bushing provides reduced operating torque and protection from harsh environments.
- Stainless steel gate is precision machined for superior seating capability.
- Four (4) rows of packing.
- Minimum four (4) bolt packing gland (sizes above 3") assures proper alignment.
- Full port ID.
- Designed and tested to MSS-SP-81 dimensions and specifications.



- O-ring resilient seat is available.
- Teflon wiper is available in the packing to provide gate support and to stabilize the packing seal.



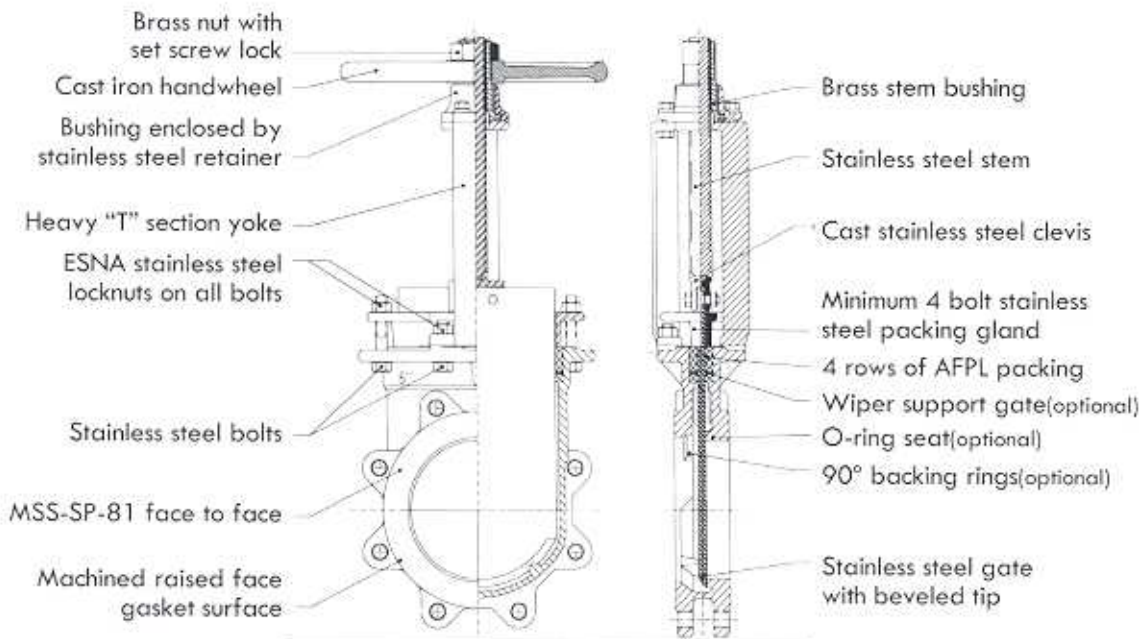
Where can you use the 80-SS Gate Valve?

- Thick media - such as pulp stock or slurries.
- Solid media - such as pellets or powders.
- In any application or area where high levels of corrosion are present.

TOWNLEY

We Can Do That.
1-800-342-9920.

Construction Details of the Series 80-SS Gate Valve



Materials

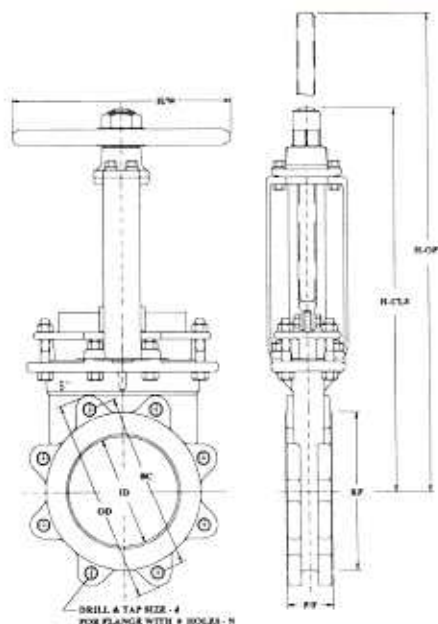
	Material Codes	
	A44	A66
Body	304	316
Gate	304	316
Packing Gland	304	316
Seat	304	316
Yoke & Retainer	304	304
Stem & Clevis	304	304
Stem Bushing	Brass	Brass
Bolting	304	304
Packing	APFL	APFL

• Call (800) 342-9920 or the plant location nearest you • E-mail us: Townley@aol.com • 80-SS Gate Valve • Shipped from stock within 24 hours •

Dimensions & Weights

	Valve Size								
	3	4	6	8	10	12	14	16	18
ID	3	4	6	8	10	12	13½	15¼	17¼
F/F	2	2	2¼	2¾	2¾	3	3	3½	3½
BC	6	7½	9½	11¾	14¼	17	18¾	21¼	22¾
RF	5	6¾	8½	10½	12¾	15	16¼	18½	21
OD	7½	9	11	13½	16	19	21	23½	25
N	4	8	8	8	12	12	12	16	16
d	5/8-11	5/8-11	3/4-10	3/4-10	7/8-9	7/8-9	1-8	1-8	1½-7
H/W	8	8	12	12	16	16	20	20	20
H-CLS	14¾	16½	20¾	23½	28½	32	36¾	40½	47¾
H-OPN	18	21	27	32	38½	44¾	51	57	65¾
Wgt (lbs)	28	39	62	95	151	205	235	310	420

All dimensions shown in inches, unless noted otherwise.



Sales & Manufacturing Centers

Home Office	Arizona	Illinois	Texas	West Virginia
Candler, FL	Eloy, AZ	Eldorado, IL	New Summerfield, TX	Beckley, WV
Phone (800) 342-9920	Phone (520) 466-9223	Phone (618) 273-9341	Phone (903) 726-3503	Phone (304) 252-7084
Fax (352) 687-1862	Fax (520) 466-7235	Fax (618) 273-3418	Fax (903) 726-3737	Fax (304) 253-4542